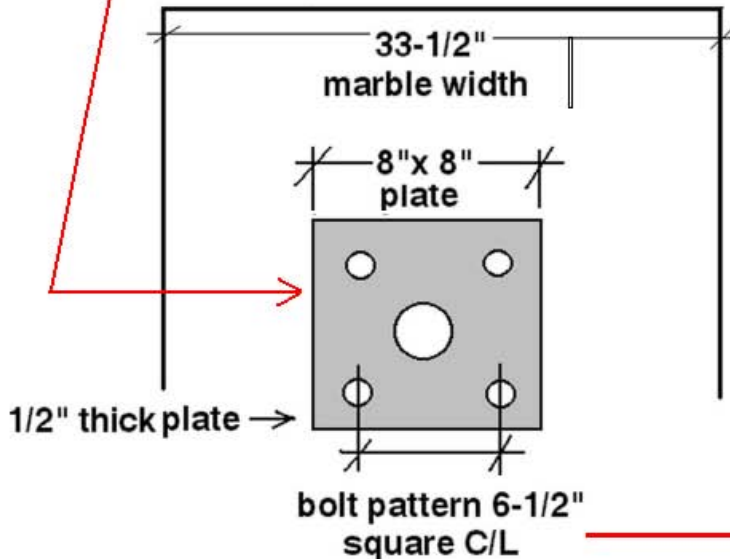
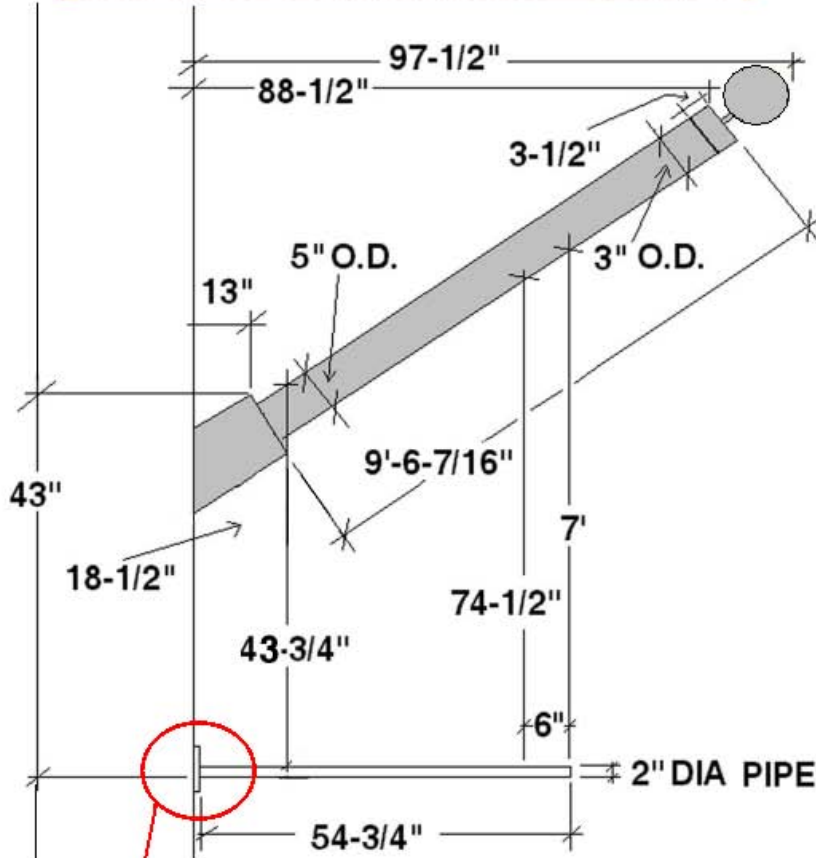


EXISTING CONDITIONS 12/29/03

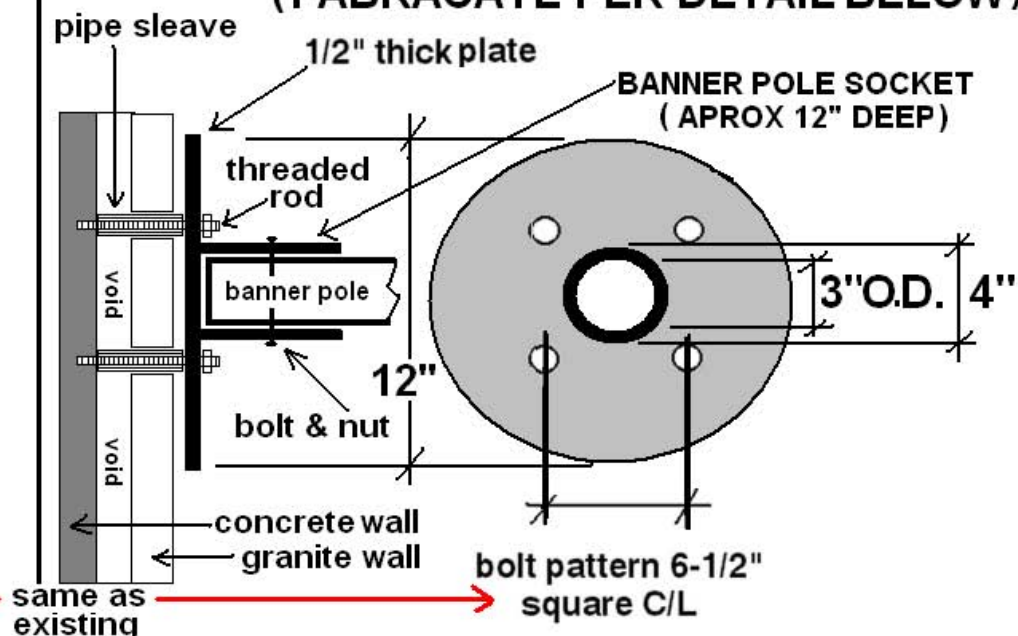


PROPOSED ADDITIONS

**NO CHANGES
TO EXISTING
"UPPER POLES"**

**CHANGE /ADD
"LOWER POLES"**

**FROM 2" DIA TO 3" DIA
(FABRICATE PER DETAIL BELOW)**



MIDWEST PLAZA BANNER POLES

BARNES & NOBLE

