



## LightLift LL63

performance



quality



safety



ReachMaster, Inc.

### TRULY AN INNOVATIVE LIFT!

- **HIGH RESISTANCE STEEL**  
The lift is entirely made of special, high-resistance steel that ensures reduced weight and dimensions.
- **PANTOGRAPH KINEMATIC MECHANISM**  
The kinematics motion of the LightLift LL63 has been designed to enable the four telescopic arms to move in pairs, thus achieving the highest performance in its category allowing maximum operating height and ability to operate on vertical walls with the lift in a correct angle position with no need to use the telescopic arm controls. Basket rotation allows the operator to remain parallel to the working surface no matter the positioning of the lift.
- **ELECTRIC-HYDRAULIC CONTROLS**  
A newly patented movement speed control system combines the electro-hydraulic circuit with the brand new Honda 15 HP engine with feedback control over the shaft speed. In addition, the engine rpm is automatically adjusted to achieve the correct speed.  
  
For indoor use, simply connect to any 110v wall outlet.

**Columbia Building Services**

2020 Broadway Street NE, Minneapolis, MN 55413  
[www.columbiabldgservices.com](http://www.columbiabldgservices.com) | 612-331-2090

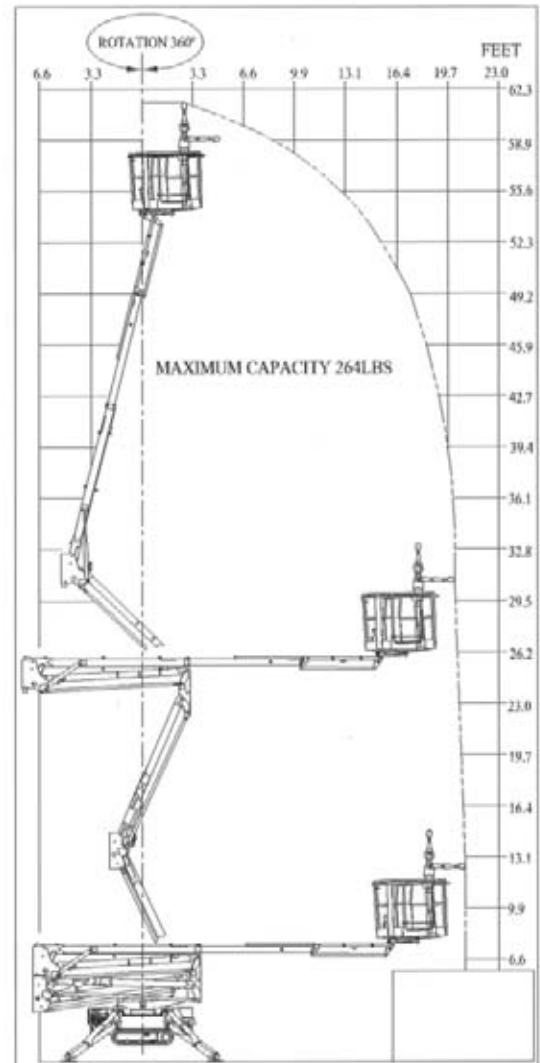
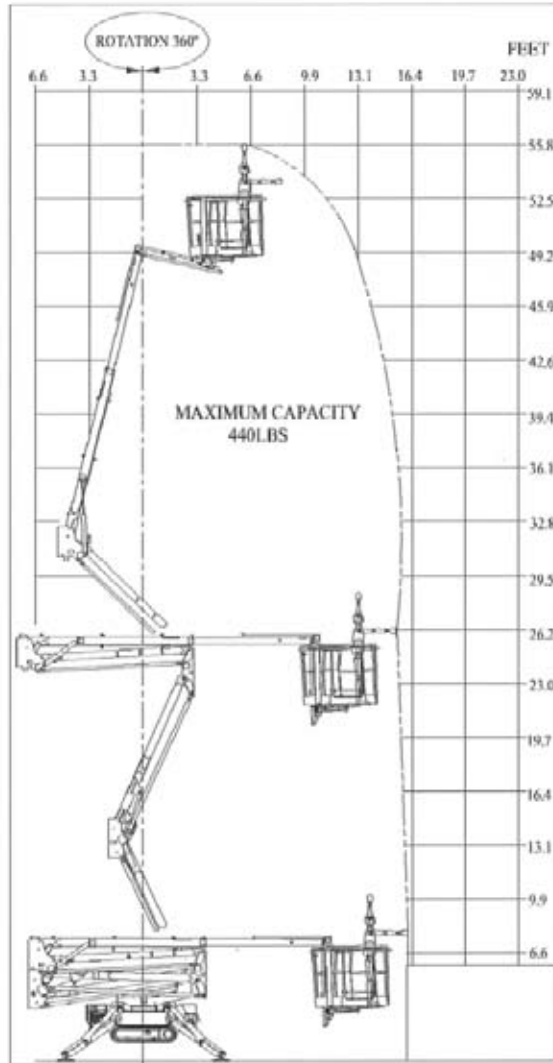


DEPENDABILITY SINCE 1916

performance

quality

safety



	<u>Basket Capacity 440lbs</u>	<u>Basket Capacity 264lbs</u>
Platform height	52.5ft	54.8ft
Working height	56.1ft	62.5ft
Max outreach	15.7ft	21.0ft
Length		14.7ft
Width (min)		2.6ft
Height		6.6ft
Weight		4,576lbs
Pressure under tracks		8.99psi
Pressure under outriggers		27.56psi

The Information and data in this brochure is not considered binding without express confirmation by ReachMaster, Inc. and subject to change without notice.



LightLift LL63

performance

quality

safety



*Compact, safe, lightweight and economical.*

That's the four corner stones of **ReachMaster's** new line of aerial lifts from the well-renowned Italian manufacturer **Hinowa, S.p.a.**, now exclusively distributed in the US and Canada by **ReachMaster, Inc.** For 20 years, innovation, daring design, superior built quality and above all safety have been trademarks of **Hinowa S.p.a.** Dual power supply allows for in and outdoor use and access through a single door makes the **LightLift LL63** the most compact track based lift in its class. Easy to use, low maintenance and high quality original and OEM components makes the **LightLift** a winner among rental companies, window cleaners and the tree care industry to mention a few.

The **LightLift LL63** can easily be taken anywhere your tool box goes. Lightweight, strong climbing abilities and compact size allow the **LightLift LL63** to be transported on small truck beds or light trailers.

Last but not least, with its affordable price and low cost maintenance, the **LightLift LL63** will provide you more reach for your bucks than any equivalent lift on the market today and add value to your bottom line.

**Columbia Building Services**

2020 Broadway Street NE, Minneapolis, MN 55413  
www.columbiabldgservices.com | 612-331-2090

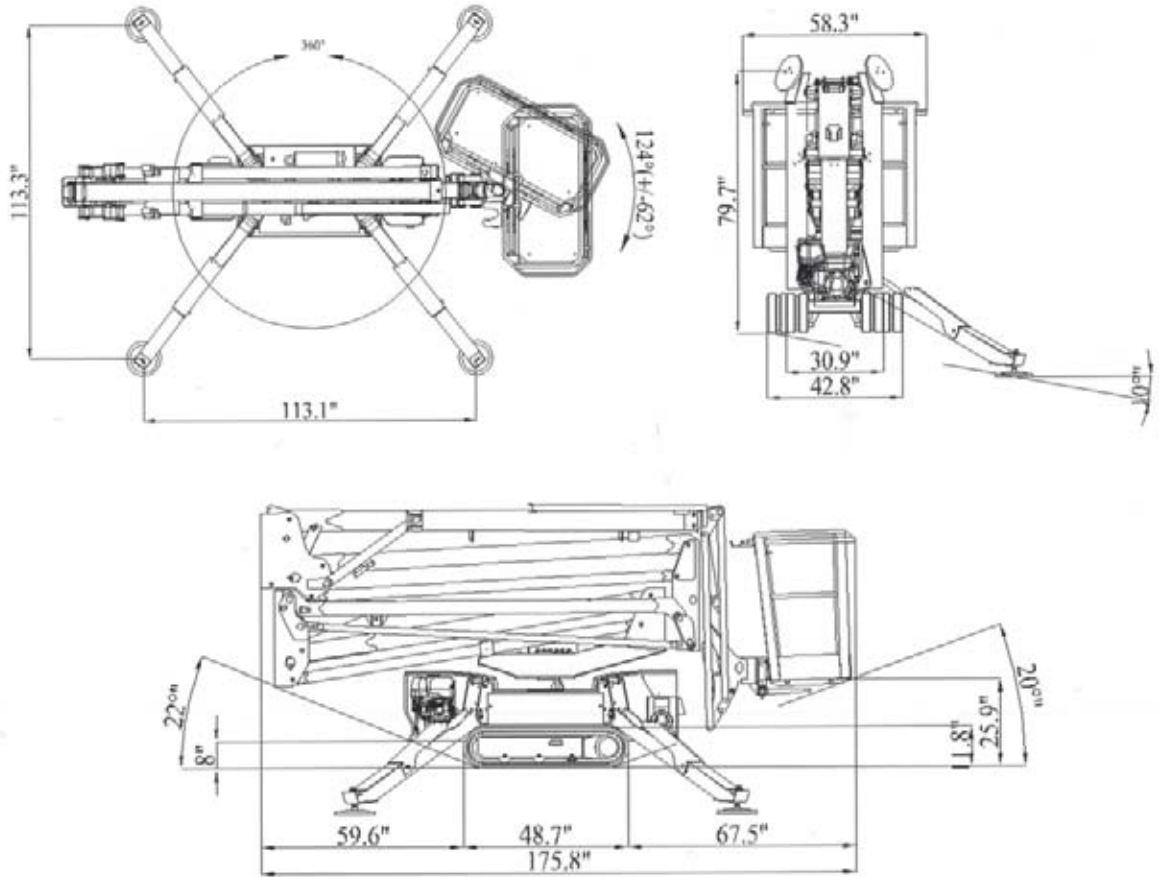


DEPENDABILITY SINCE 1916



# LightLift LL63

performance  
quality  
safety



### Standard Features:

Basket rotation	124° (2*62°)
Turret rotation (non cont.)	360°
Jib type articulated joint	82.7°
Max stabilization inclination	10°
Gasoline Engine (LL63)	Honda iGX440 – 15HP
Diesel Engine (LL63D)	Hatz 1B40—10HP
Electric motor	110V AC
Electric system voltage	12V
Max travel speed	0.87mph
Max driving slope	20° / 36%
Max wind speed	27.96mph
Max manual force	89.9 pound-force

### Other Standard Features:

Emergency lowering system, air to the basket, 110V to the basket, Start and Stop of main motor from the basket, load limiting device, double block valve on the stabilizers, stabilization warning lights, widening undercarriage.

## Columbia Building Services

2020 Broadway Street NE, Minneapolis, MN 55413  
[www.columbiabldgservices.com](http://www.columbiabldgservices.com) | 612-331-2090



DEPENDABILITY SINCE 1916